

Internal T.C.
PROTRUSS 36

PRO

PROTRUSS 36

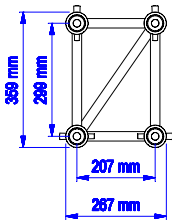
The P36 was specially developed for heavy duty applications - for stage applications, stand construction and rentals. In spite of the compact form of the truss, it can be used for building constructions spanning up to 20 m with a high loading factor. The P 36 truss is available in two versions: rectangular and square. Due to its slender shape, the rectangular model is also much in demand for applications in which the visual image generated plays an important role. The rectangular truss is also ideal from a logistics viewpoint (for storage as well as transport).

The conical connection pieces (large size) allow quick and easy assembly, practically without the use of tools. Interlat produces a large assortment of corners, arches, circles and special constructions based on the Protruss 36 series.

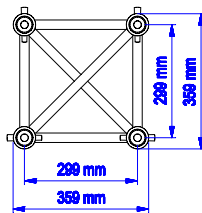
The conical connection piece allows you to assemble your system in the shortest of time.

TECHNICAL SPECIFICATIONS PROTRUSS

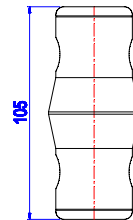
TYPE	R = RECTANGLE S = SQUARE
ALLOY	EN-AW 6082 T6
TUBE	Ø 50 X 4 MM
BRACE	Ø 25 X 3 MM
END BRACE	Ø 25 X 3 MM
CONNECTION	ALU. CONNECTION PIECE WITH SPIGOT AND R-SPRING



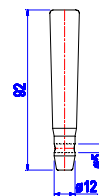
P36R



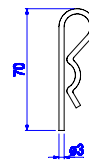
P36S



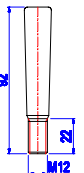
6050-002-001



6050-012-001



6050-013-001



6050-012-002



P36R \ P36S



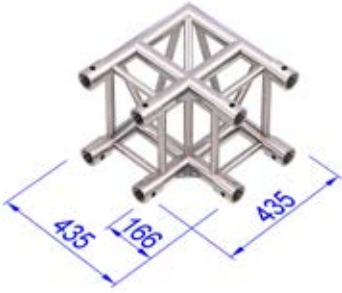
CONNECTION PIECES

PROTRUSS 36 SERIES

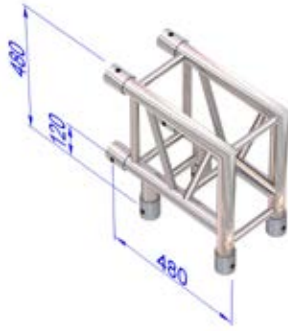
TUBE - Ø 50 X 4

STANDARD LENGTHS (M)	0,50	0,60	0,80	1,00	1,20	1,50	1,60	2,00	2,40	2,50	3,00	3,20	3,50	4,00
36R (KG)	8,1	8,5	10,1	11,7	13,4	15,8	16,6	19,8	23,0	23,8	27,9	29,5	31,9	35,9
36S (KG)	8,9	9,8	11,0	12,9	14,8	16,2	18,5	22,2	25,4	26,8	31,5	33,3	36,1	40,7

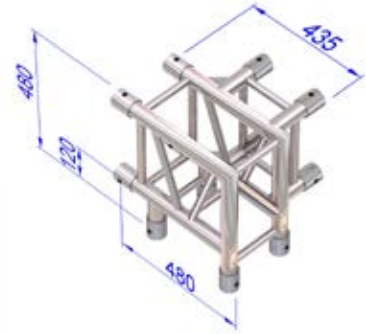
P36RCORNERS



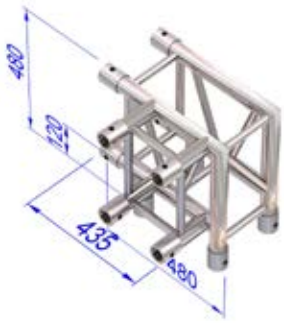
P36-003-R 2 WAY CORNER 90° HORIZONTAL



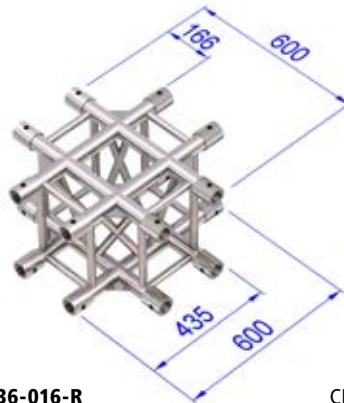
P36-007-R 2 WAY CORNER 90° VERTICAL



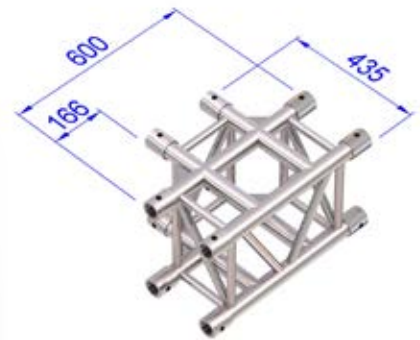
P36-012-R 3 WAY CORNER 90° LEFT



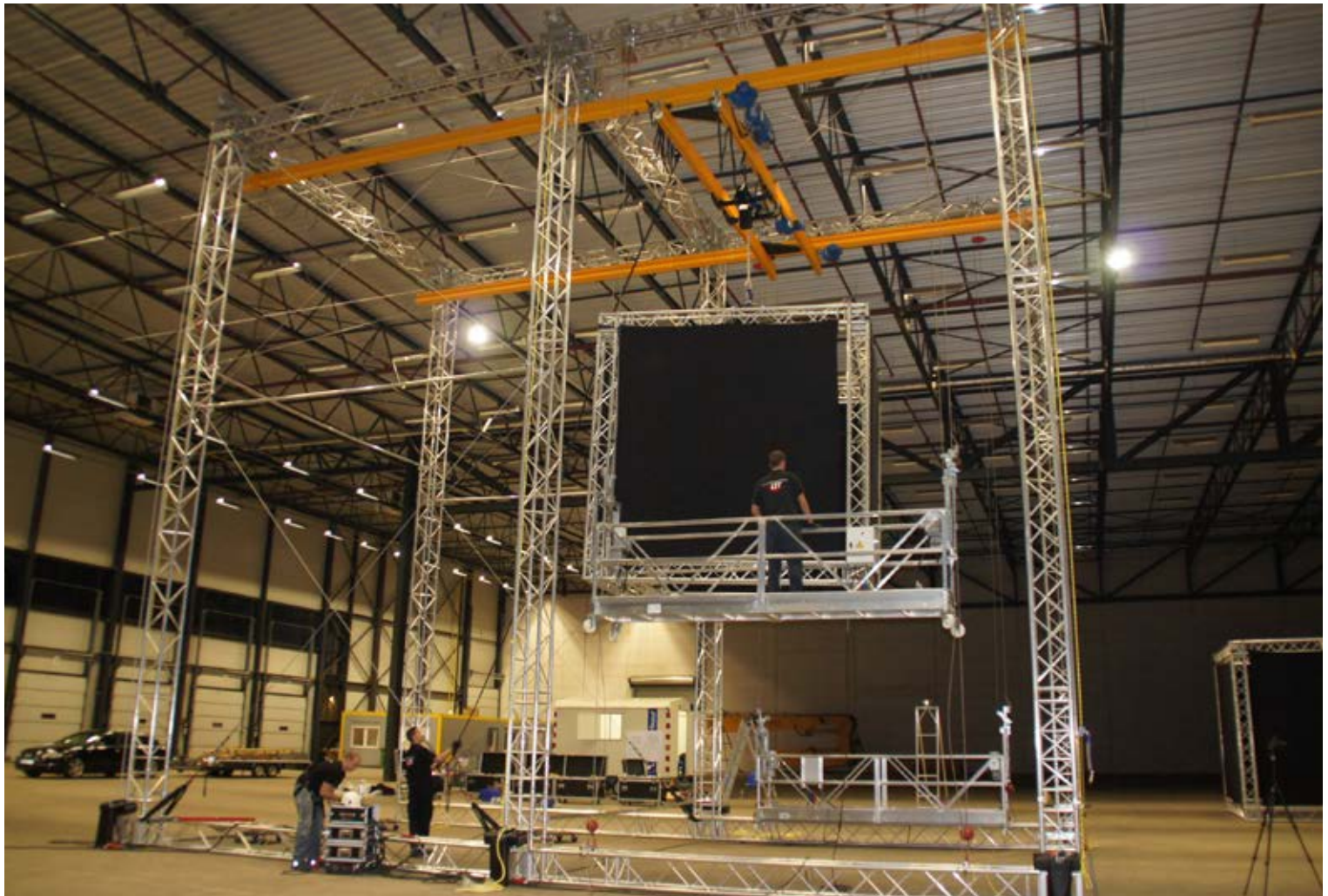
P36-013-R 3 WAY CORNER 90° RIGHT



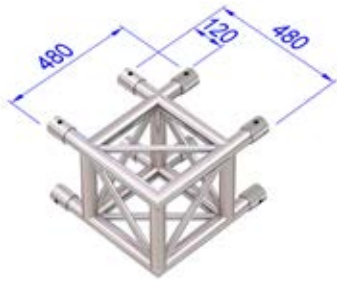
P36-016-R CROSS



P36-017-R T-JOINT

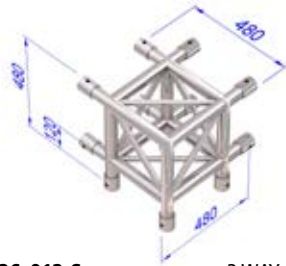


P36 SCORNERS



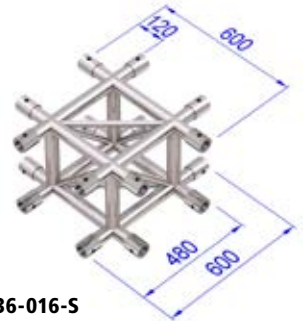
P36-003-S

2 WAY CORNER 90°



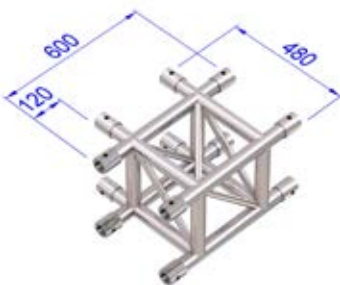
P36-012-S

3 WAY CORNER 90°



P36-016-S

CROSS



P36-017-S

T-JOINT