

Internal T.C.
PROTRUSS 20

DECO

PROTRUSS 20

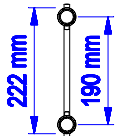
The Protruss 20 is particularly well suited for integrating a decorative accent into various interiors. Ideal for use in shops and/or show room interiors, displays and banner shapes, the Pro 20 is also increasingly being used for stand construction, especially as a decorative element, due to its small size and light weight combined with large loading capacity.

Its striking industrial design makes the Protruss 20 an eye-catcher in any environment. The Protruss 20 is available in bright aluminium or any Ral colour one chooses, due to the use of Powder Coated colours and finishes.

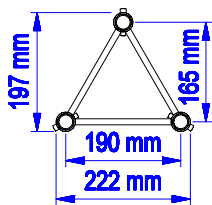
The conical connection pieces (mini size) allow quick and easy assembly, without the use of tools. Interall produces a large assortment of corners, arches, circles and special constructions based on the Protruss 20 series.

TECHNICAL SPECIFICATIONS PROTRUSS

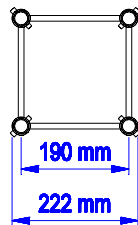
TYPE	F = LADDER T = TRIANGLE S = SQUARE
ALLOY	EN-AW 6082 T6
TUBE	*20 Ø 32 X 1,5 MM
BRACE	*20 Ø 10 X 1 MM
CONNECTION	SMALL TYPE ALU. CONNECTION PIECE WITH SPIGOT AND R-SPRING



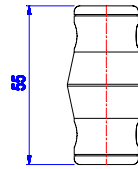
F20



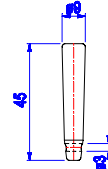
T20



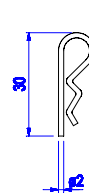
S20



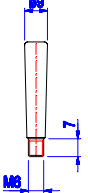
6011-002-001



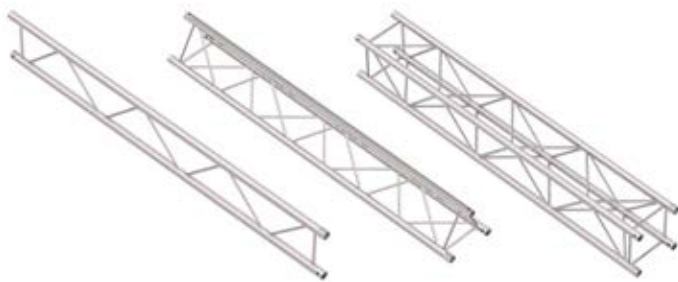
6011-012-001



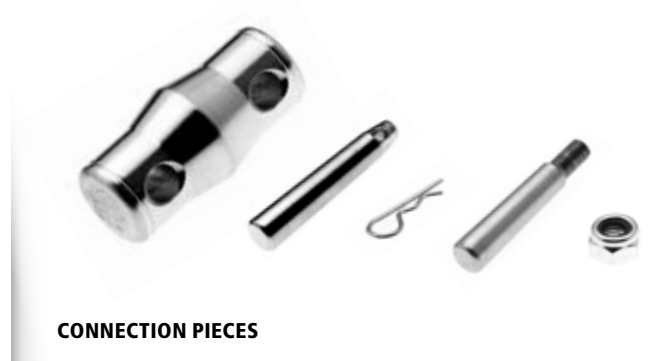
6011-013-001



6011-012-002



F20 \ T20 \ S20



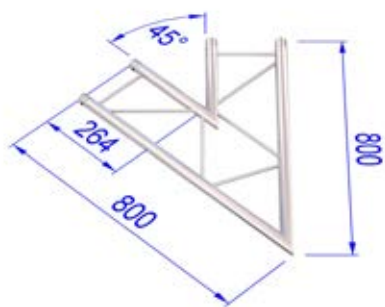
CONNECTION PIECES

PROTRUSS 20 SERIES

TUBE - Ø 32 X 1,5

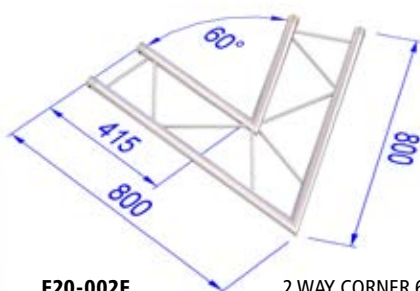
STANDARD LENGTHS (M)	0,25	0,50	0,75	1,00	1,50	2,00	2,50	3,00
F20 (KG)	0,60	0,80	1,00	1,10	1,50	2,00	2,50	2,90
T20 (KG)	1,20	1,40	1,60	1,80	2,60	3,40	4,00	4,90
S20 (KG)	1,80	2,00	2,30	2,50	3,50	4,50	5,50	6,50

DECOFLAT



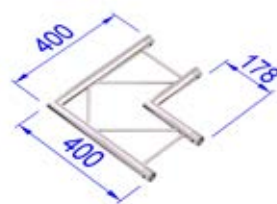
F20-001F

2 WAY CORNER 45°



F20-002F

2 WAY CORNER 60°



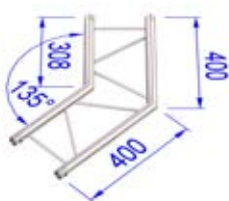
F20-003F

2 WAY CORNER 90°



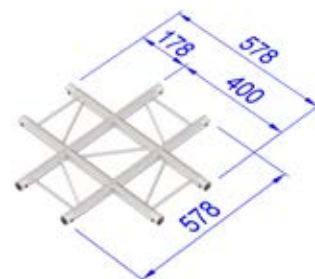
F20-004F

2 WAY CORNER 120°



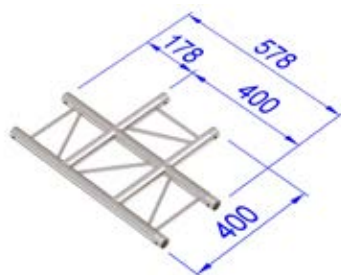
F20-005F

2 WAY CORNER 135°



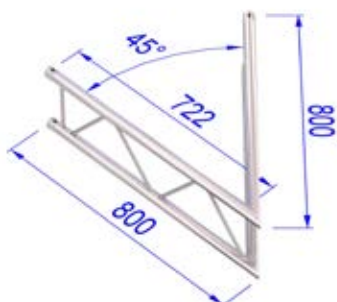
F20-016F

CROSS



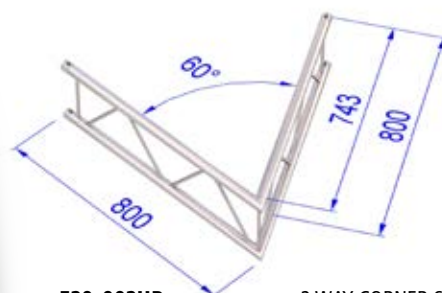
F20-017F

T-JOINT



F20-001UP

2 WAY CORNER 45°



F20-002UP

2 WAY CORNER 60°



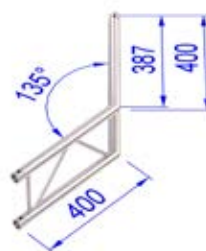
F20-003UP

2 WAY CORNERS 90°



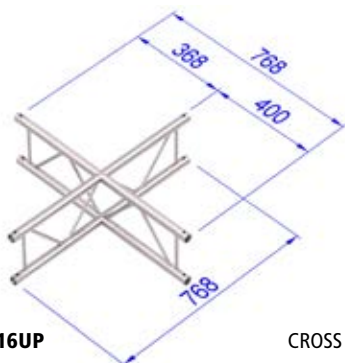
F20-004UP

2 WAY CORNER 120°



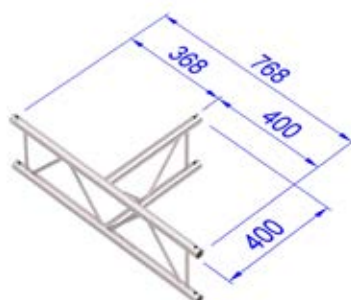
F20-005UP

2 WAY CORNER 135°



F20-016UP

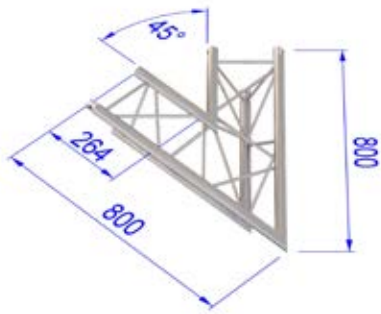
CROSS



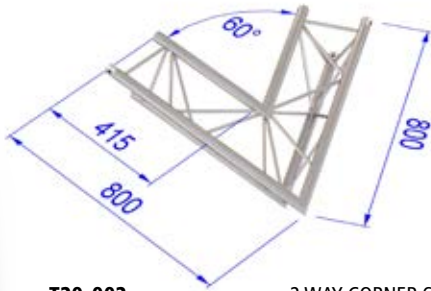
F20-017UP

T-JOINT

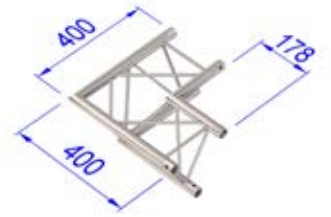
DECO TRIANGLE



T20-001 2 WAY CORNER 45°



T20-002 2 WAY CORNER 60°



T20-003 2 WAY CORNER 90°



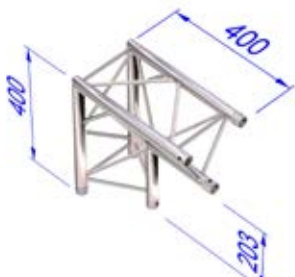
T20-004 2 WAY CORNER 120°



T20-005 2 WAY CORNER 135°



T20-006 2 WAY CORNER 90° APEX UP



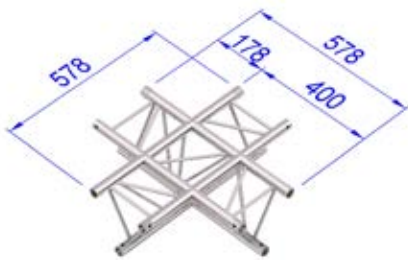
T20-007 2 WAY CORNER 90° APEX DOWN



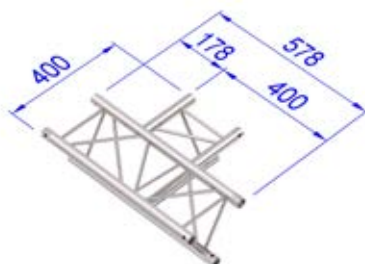
T20-012 3 WAY CORNER 90°



T20-013 3 WAY CORNER 90°



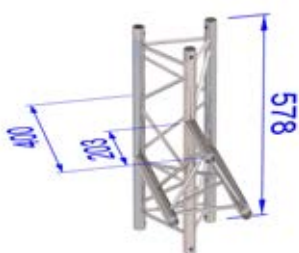
T20-016 CROSS



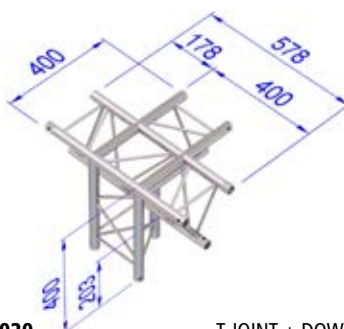
T20-017 T-JOINT HORIZONTAL



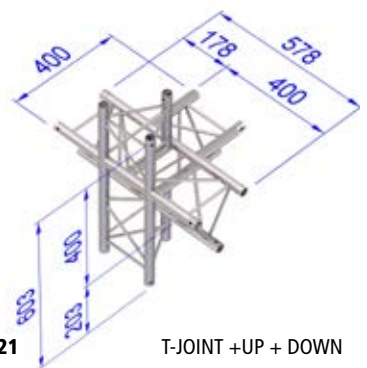
T20-018 T-JOINT VERTICAL



T20-019 T-JOINT VERTICAL

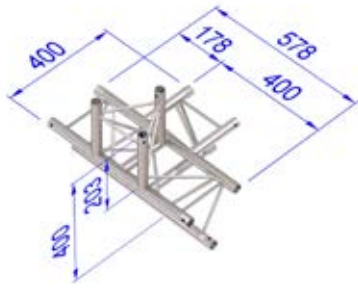


T20-020 T-JOINT + DOWN



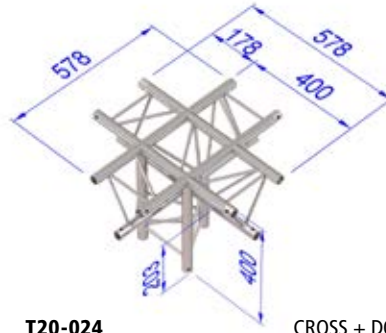
T20-021 T-JOINT +UP + DOWN

DECO TRIANGLE



T20-022

T-JOINT + UP

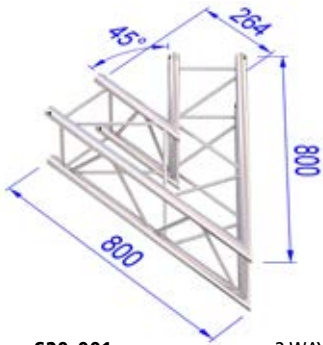


T20-024

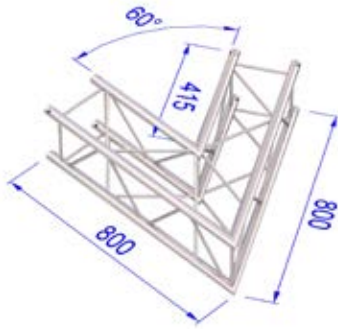
CROSS + DOWN



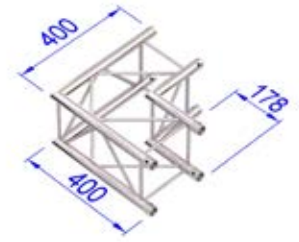
DECO SQUARE



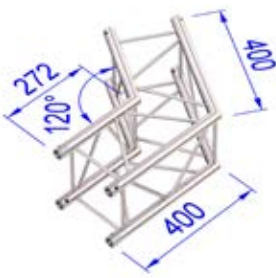
S20-001 2 WAY CORNER 45°



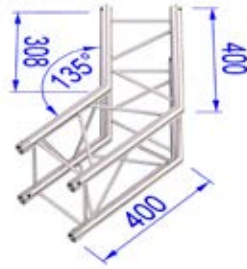
S20-002 2 WAY CORNER 60°



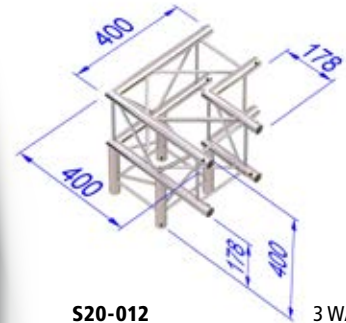
S20-003 2 WAY CORNER 90°



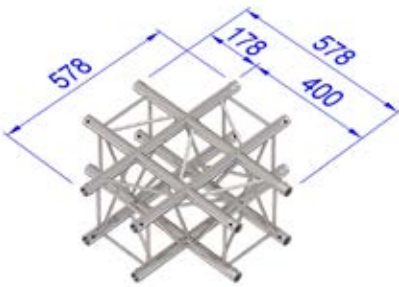
S20-004 2 WAY CORNER 120°



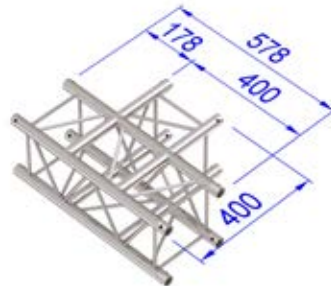
S20-005 2 WAY CORNER 135°



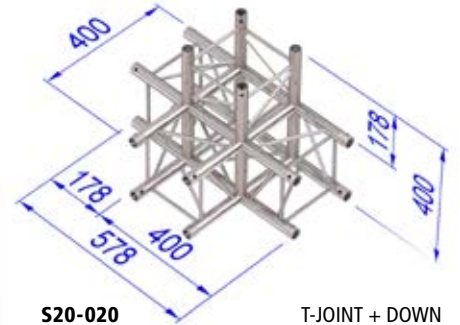
S20-012 3 WAY CORNER 90°



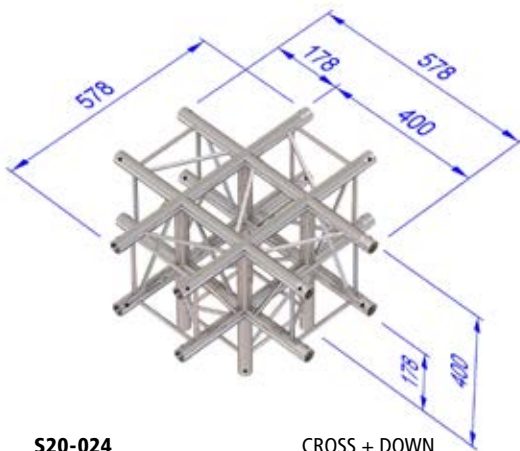
S20-016 CROSS



S20-017 T-JOINT



S20-020 T-JOINT + DOWN



S20-024 CROSS + DOWN